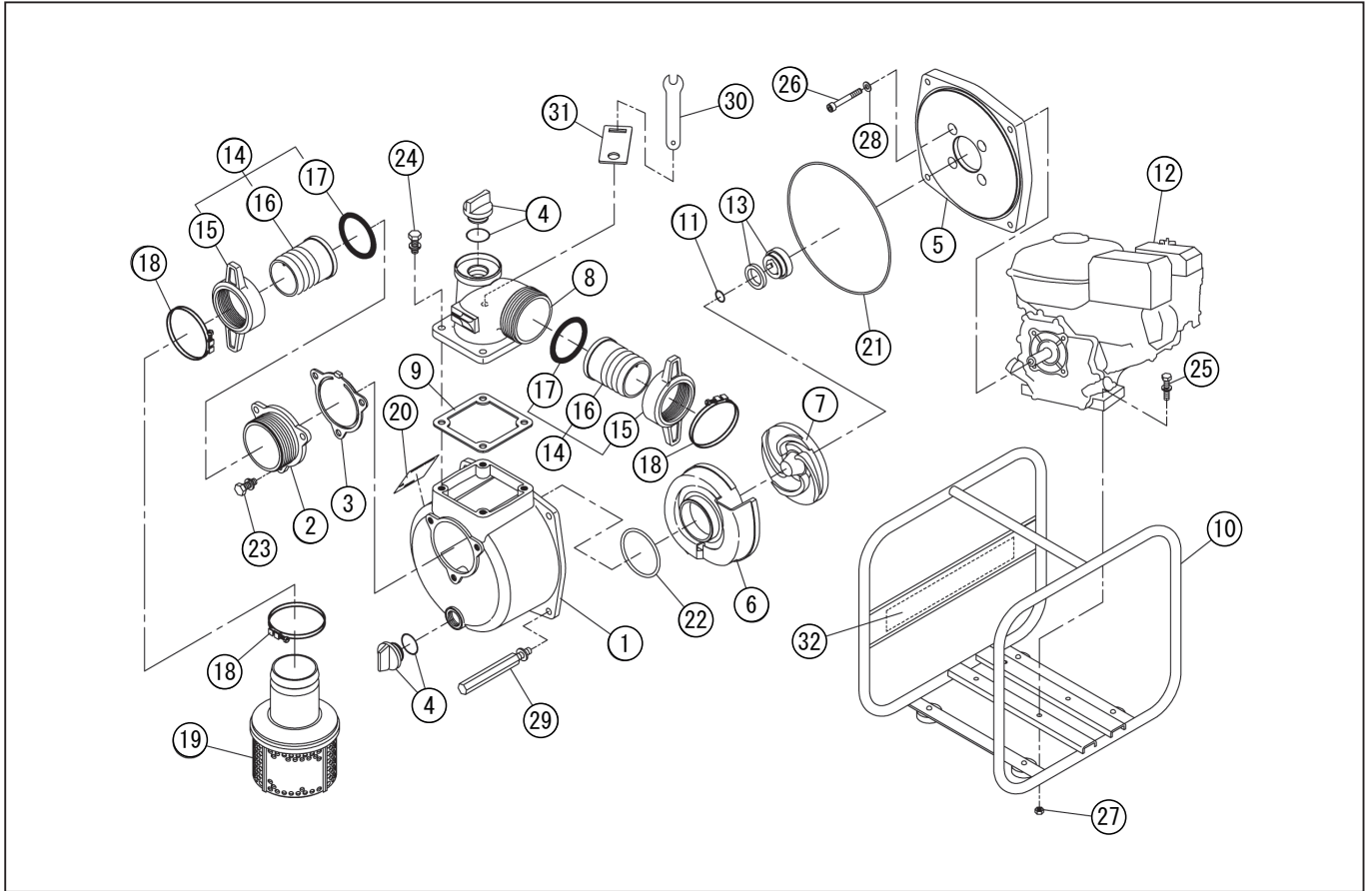


DWG No.012912104 MODELE:STV-50X FORM:STV-50X-BAA-0

| No. | PARTS CODE | PARTS NAME                        | QTY | MATERIAL/SIZE | REMARKS |
|-----|------------|-----------------------------------|-----|---------------|---------|
| 1   | 0120195    | PUMP CASING                       | 1   | ADC           |         |
| 2   | 0112662    | SUCTION FLANGE                    | 1   | ADC           |         |
| 3   | 0112665    | CHECK VALVE                       | 1   | NBR           |         |
| 4   | 0118078    | 20A PLUG SET                      | 2   |               |         |
| 5   | 0114027    | FLANGE BRACKET                    | 1   | ADC           |         |
| 6   | 0115169    | VOLUTE CASING                     | 1   | FCD450        |         |
| 7   | 0121342    | IMPELLER                          | 1   | FCD450        |         |
| 8   | 0110556    | DELIVERY FLANGE                   | 1   | PS            |         |
| 9   | 0110541    | DELIVERY FLANGE PACKING           | 1   | CR 70 °       |         |
| 10  | 0128366    | BASE SET                          | 1   |               |         |
| 11  | 0110491    | IMPELLER ADJUSTING WASHER         | 3   | BSP           |         |
| 12  | 0121273    | ENGINE (WITH ALERT)               | 1   | KOSHIN K180-3 |         |
| 13  | 0115159    | MECHANICAL SEAL                   | 1   | HJ-20(B)BSIC  |         |
| 14  | 0117026    | COUPLING SET                      | 2   | ABS           |         |
| 15  | 0113390    | COUPLING                          | 2   | ABS           |         |
| 16  | 0110356    | HOSE NIPPLE                       | 2   | ABS           |         |
| 17  | 0113391    | COUPLING PACKING                  | 2   | NBR           |         |
| 18  | 940019060  | HOSE BAND                         | 3   | φ 60          |         |
| 19  | 0111286    | STRAINER                          | 1   | SPC           |         |
| 20  | 0121414    | NAME PLATE                        | 1   |               |         |
| 21  | 0115014    | O-RING                            | 1   | 1517-42.5 NBR |         |
| 22  | 0112792    | O-RING                            | 1   | P54 NBR       |         |
| 23  | 743119045  | HEXAGON BOLT                      | 3   | M8x20 SWRM    |         |
| 24  | 743119047  | HEXAGON BOLT                      | 4   | M8x25 SWRM    |         |
| 25  | 743119053  | HEXAGON BOLT                      | 4   | M8x40 SWRM    |         |
| 26  | 734532076  | HEXAGON SOCKET BOLT (WITH WASHER) | 4   | M8x60 SCM CS  |         |
| 27  | 827419008  | HEXAGON NUT                       | 4   | M8 SWRM       |         |
| 28  | 854255008  | SEAL WASHER                       | 4   | φ 8           |         |
| 29  | 0115115    | LONG BOLT                         | 4   | M8x118        |         |
| 30  | 0115185    | SPANNER                           | 1   | 13MM          |         |

◆ Bare engine can not be supplied



DWG No.012912104 MODELE:STV-50X FORM:STV-50X-BAA-0

| No. | PARTS CODE | PARTS NAME       | QTY | MATERIAL/SIZE | REMARKS |
|-----|------------|------------------|-----|---------------|---------|
| 31  | 0115230    | SPANNER HOLDER   | 1   | 13MM          |         |
| 32  | 0120428    | SIDE PANEL LABEL | 1   |               |         |
|     | 0121415    | PACKING CASE     | 1   | K6            |         |

◆ Bare engine can not be supplied